

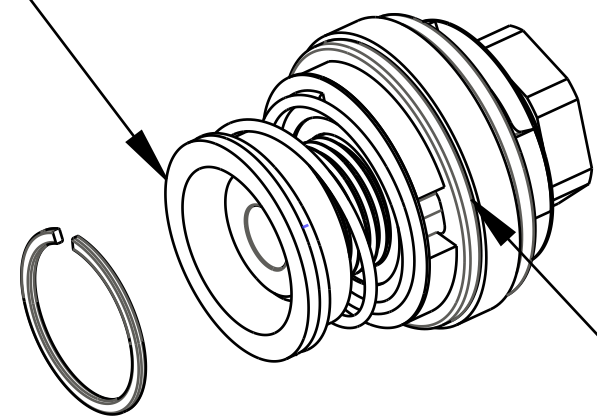
4

3

2

1

! IMPORTANT:
LARGER OD OF THE SPRING PERCH
GOES AGAINST THE RETAINING RING



! IMPORTANT:
ENSURE VALVES ARE NOT
PINCHED DURING ASSEMBLY

DETAIL A

PISTON ASSY
820-03-451-KIT

SEE DETAIL A

TORQUE:
55 IN.LB.

! IMPORTANT:
ENSURE RETAINING RING IS FULLY
SEATED IN GROOVE FULL 360°

039-00-326
Spring: Rebound Needle, Stiff, FIT CTD

210-22-441
Needle, Rebound, Smaller ID Damper Shaft, 010 RL-RLC

DAMPER TUBE

REBOUND TUBE

GREASE:
THIN LAYER OF SLICK HONEY
ON BULLET TOOL

TORQUE:
55 IN.LB.

820-03-392-KIT
Sealhead Assy, 2015 8mm FIT SKF

REBOUND ADJUSTER 820-03-135-KIT

FOX FOX Factory, Inc. Ph 831-768-1100
130 Hangar Way, Watsonville, CA 95076 USA Fax 831-768-9312

TITLE
**2015 32 FIT CTD
Damper Shaft Assy**

SIZE DWG. NO.
C
PLOT SCALE 0.85:1 SHEET 1 OF 1

- PROPRIETARY -
THIS DOCUMENT CONTAINS CONFIDENTIAL, PROPRIETARY INFORMATION
THAT IS FOX PROPERTY. DO NOT DISCLOSE TO OR DUPLICATE
FOR OTHERS EXCEPT AS AUTHORIZED BY FOX.

ProE ASSEM

4

3

2

1